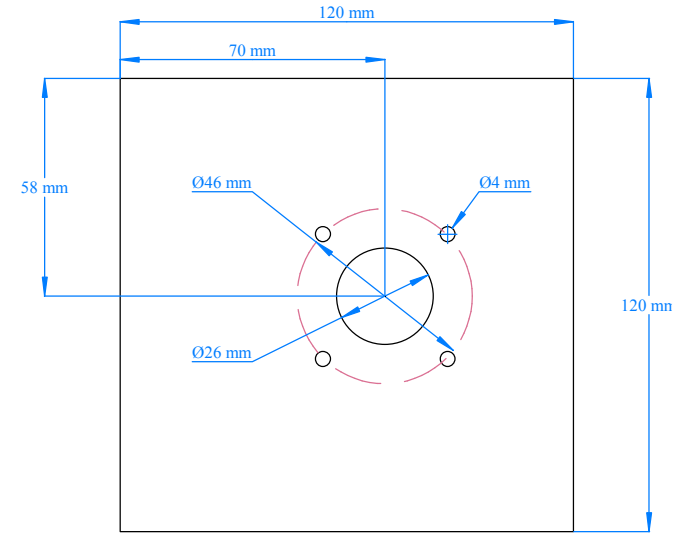
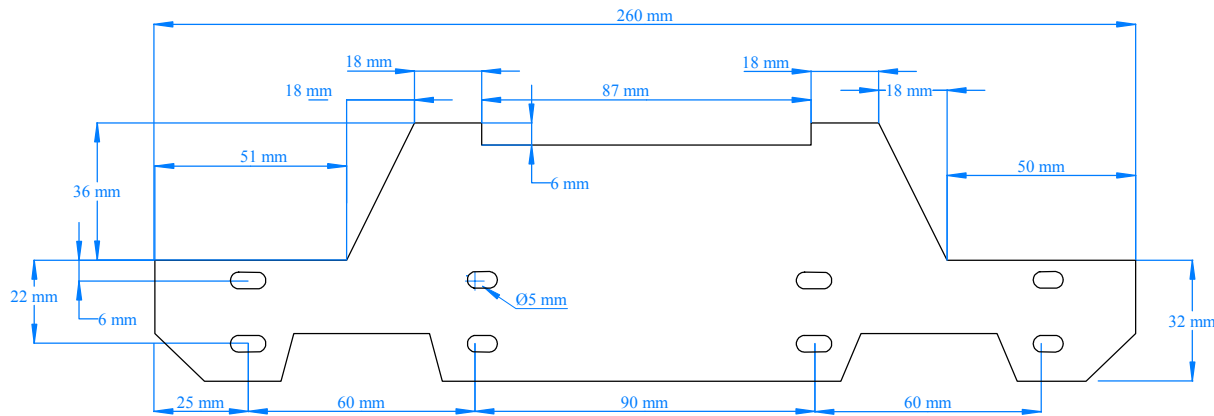


**Rail End Plate - Two Required**

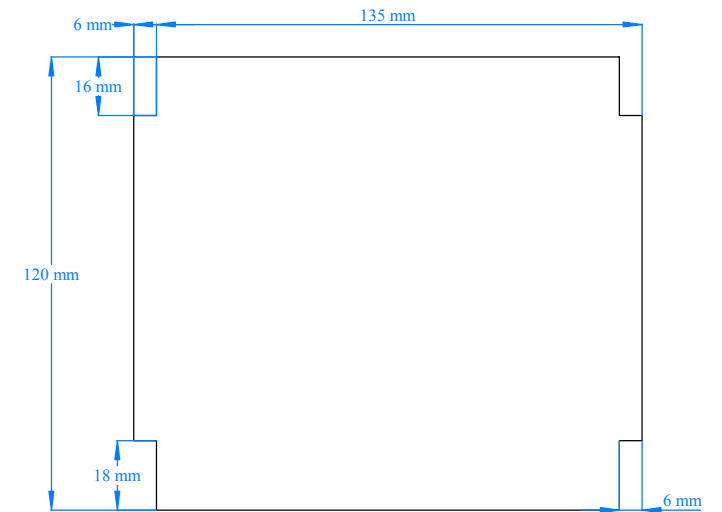


**Camera Traveller Base Plate**



**Traveller End Plate - Two Required**

Drill to suit base and top plate attachment method



**Top Plate**

Drill to suit the Camera and Mount you are using

# Camera Dolly Panels

Scale 1:2 when printed unscaled on A4

Hamish Trolove  
[www.techmonkeybusiness.com](http://www.techmonkeybusiness.com)