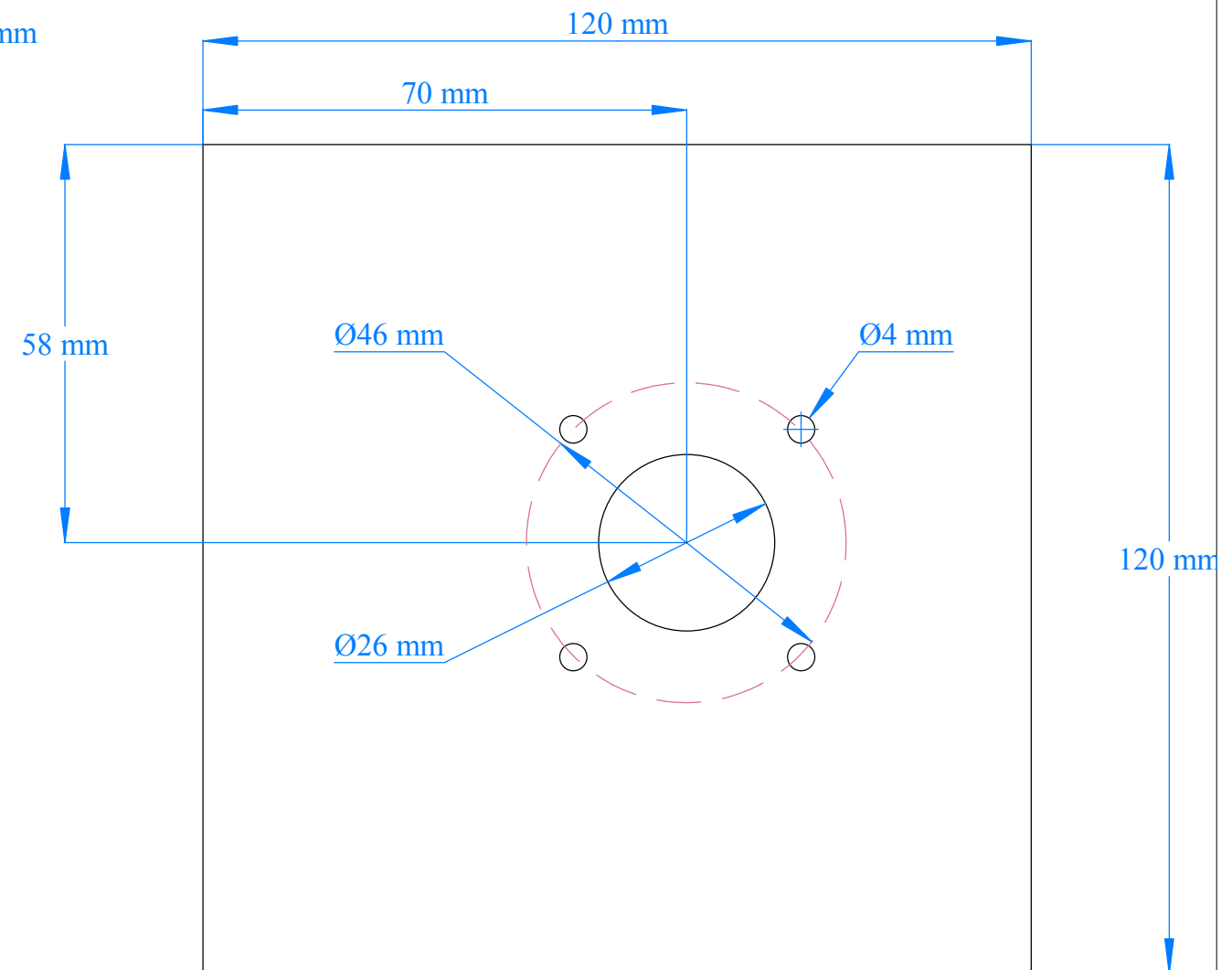
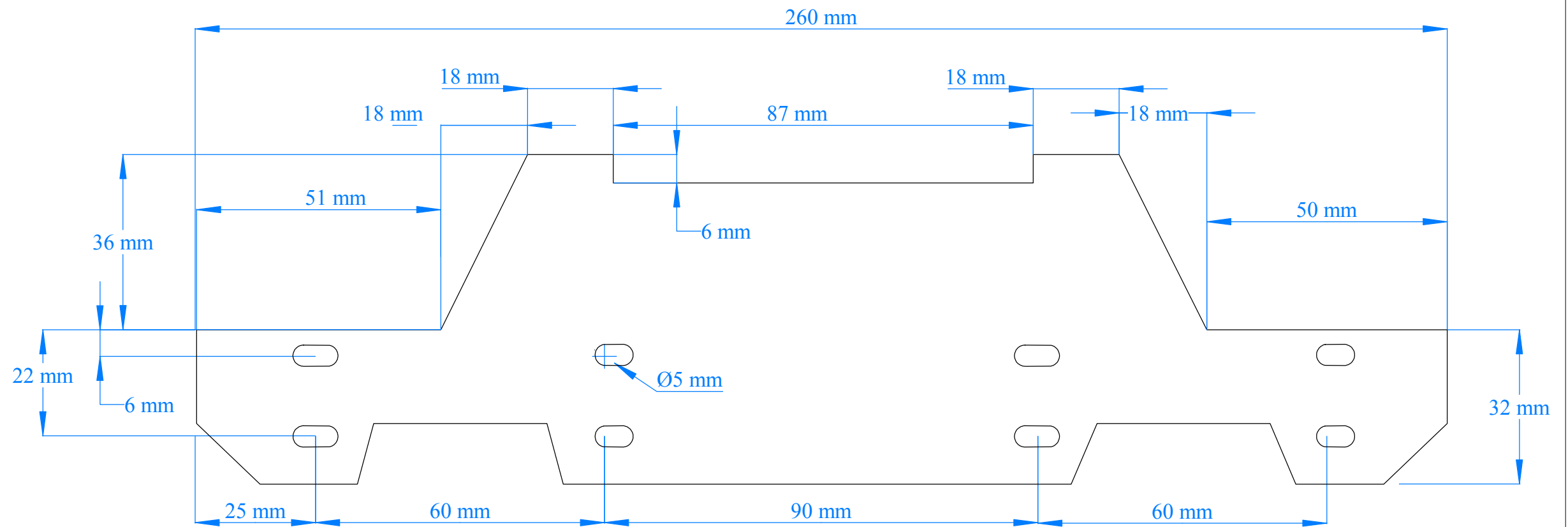


**Rail End Plate - Two Required**

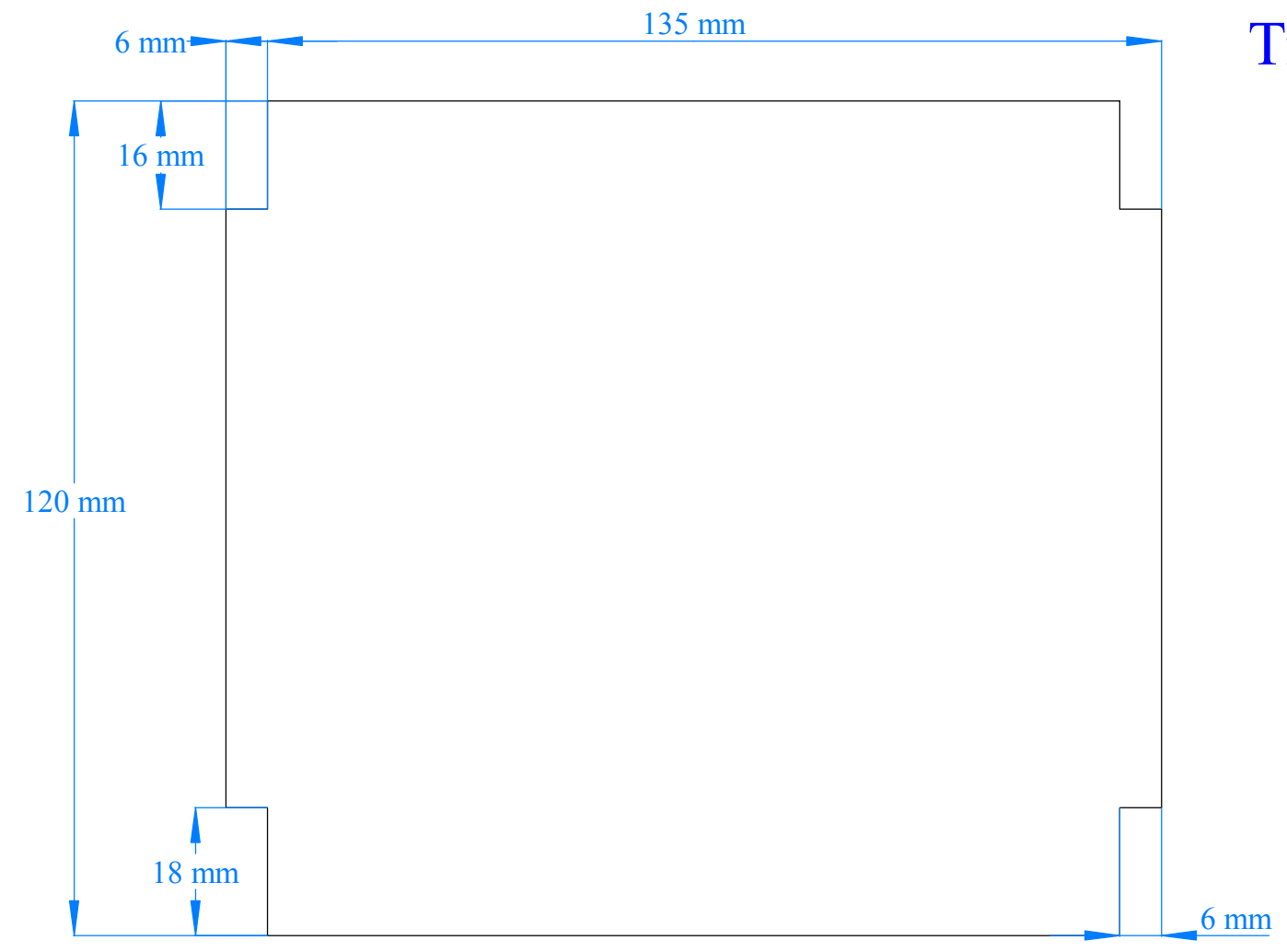


**Camera Traveller Base Plate**



### Traveller End Plate - Two Required

Drill to suit base and top plate attachment method



### Top Plate

Drill to suit the Camera and Mount you are using

## Camera Dolly Panels - page 2

Scale 1:1 when printed unscaled on A3

Hamish Trolove  
[www.techmonkeybusiness.com](http://www.techmonkeybusiness.com)